



## SERIES AVLV | LOW AIR VELOCITY TRANSMITTER



### BENEFITS/FEATURES

- Minimal preventative maintenance as sensing element is covered with an engineered protective coating
- Easy field setup via the on board dip switches for range and units

### APPLICATIONS

- VAV systems
- Building ducts
- Clean room systems

### DESCRIPTION

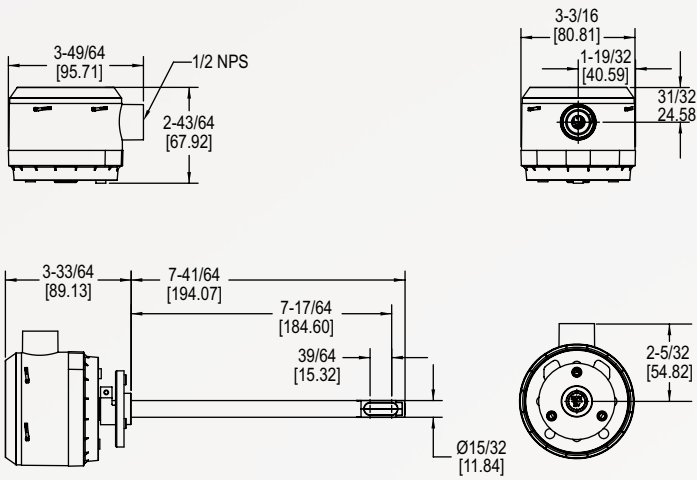
The **Series AVLV Low Air Velocity Transmitter** quickly and accurately measures air velocity or volumetric flow in imperial or metric units. Simultaneous current and voltage outputs on all models provide universal inputs to monitoring equipment while the output range, units, and 0-5/10 VDC, 4-20 mA output can be configured via local DIP switches. The optional integral display, or the portable remote tool, provide a convenient way to local monitor process values and configure the unit.

Models are available in 1% and 2% accuracy models and low velocity ranges to suit a variety of needs, and the optional BACnet MS/TP or Modbus® RTU/ASCII communication protocol allows units to be daisy-chained while providing access to all of the velocity and flow data, as well as additional information such as air temperature. The lower ranges in these high accuracy units allow for applications in quality intensive environments, such as the pharmaceutical industry.

### SPECIFICATIONS

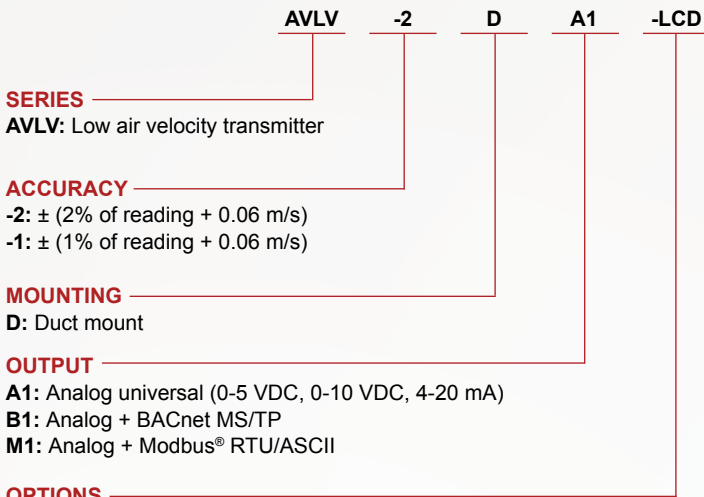
<b>Service</b>	Clean air and non-combustible, compatible gases.
<b>Wetted Materials</b>	Consult factory.
<b>Range</b>	100, 200, 300, 400 FPM (0.5, 1, 1.5, 2 m/s); field selectable.
<b>Accuracy</b>	See chart.
<b>Temperature Limits</b>	32 to 122°F (0 to 50°C).
<b>Power Requirements</b>	24 VDC ±20% or 24 VAC ±20%.
<b>Humidity Limits</b>	5 to 95% RH, non-condensing.
<b>Output Signals</b>	4-20 mA, 0-5 VDC, 0-10 VDC.
<b>Response Time (90%)</b>	4 s, typical; 1 s at constant temperature.
<b>Zero and Span Adjustments</b>	Digital push buttons.
<b>Output Load Resistance</b>	Current output: 0 to 1100 Ω max.; Voltage output: Minimum load resistance 1 kΩ.
<b>Current Consumption</b>	60 mA max.
<b>Display</b>	5 digit LCD (optional).
<b>Electrical Connections</b>	Analog: Power and output: four wire removable European style terminal block for 16 to 26 AWG; Communication: Connections: BACnet MS/TP or Modbus® RTU/ASCII: three wire removable European style terminal block for 16 to 26 AWG.
<b>Supported Communication Baud Rates</b>	9600, 19200, 38400, 57600, 76800, 115200 (optional).
<b>Device Load</b>	1/8 unit load.
<b>Electrical Entry</b>	1/2" NPS thread. Accessory: Cable gland for 5 to 10 mm diameter cable, A-151.
<b>Enclosure Rating</b>	NEMA 4X (IP66).
<b>Mounting Orientation</b>	Flow direction must be parallel to the sensor tip.
<b>Weight</b>	6.0 oz (160 g).
<b>Agency Approvals</b>	BTL, CE.

## DIMENSIONS



## HOW TO ORDER

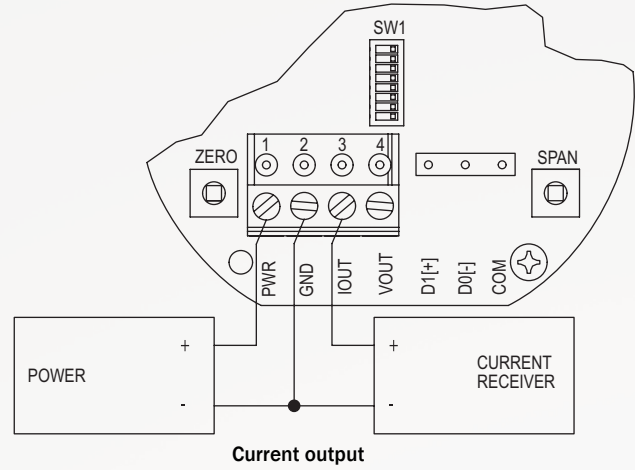
Use the **bold** characters from the chart below to construct a product code.



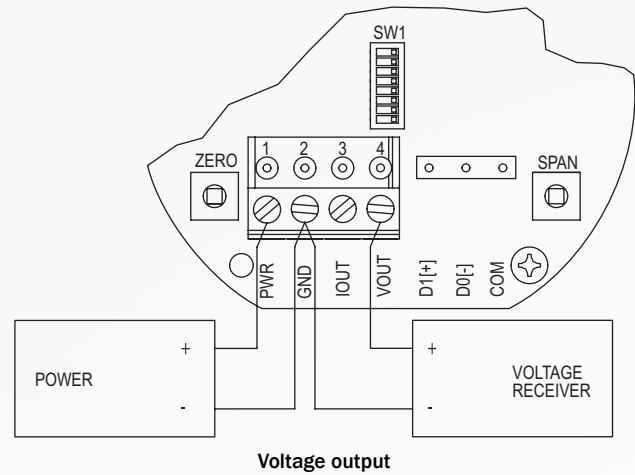
## ACCESSORIES

Model	Description
<b>A-AVLV-LCD</b>	Field upgradeable display
<b>A-AVUL-MTG</b>	Replacement duct mount plate assembly

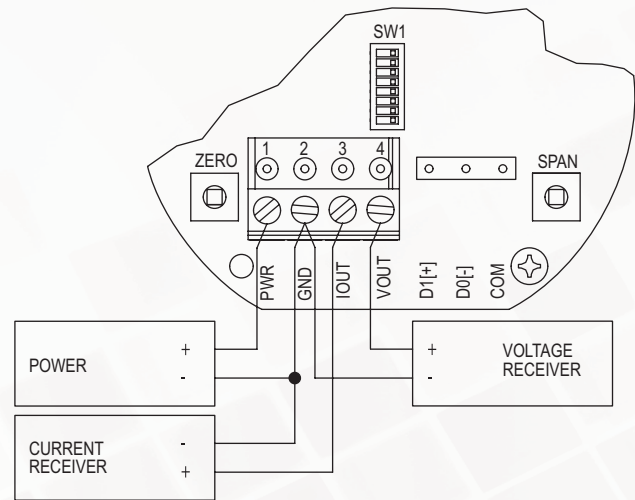
## WIRING DIAGRAM



Current output



Voltage output



Simultaneous current and voltage output

Modbus® is a registered trademark of Schneider Automation, Inc.



DWYER INSTRUMENTS, INC.

ORDER ONLINE TODAY!

[dwyer-inst.com/Product/SeriesAVLV](http://dwyer-inst.com/Product/SeriesAVLV)

©Copyright 2021 Dwyer Instruments, Inc.  
Printed in U.S.A. 5/21

DS-AVLV Rev. 2

Important Notice: Dwyer Instruments, Inc. reserves the right to make changes to or discontinue any product or service identified in this publication without notice. Dwyer advises its customers to obtain the latest version of the relevant information to verify, before placing any orders, that the information being relied upon is current.